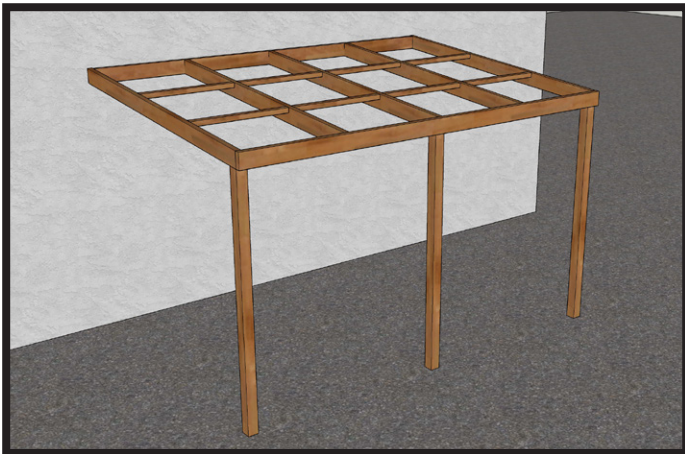
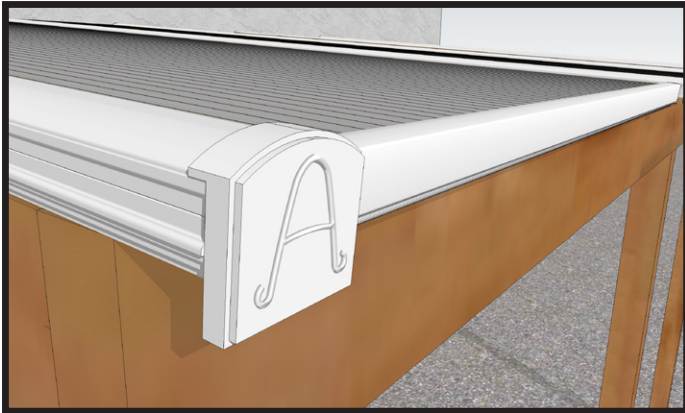


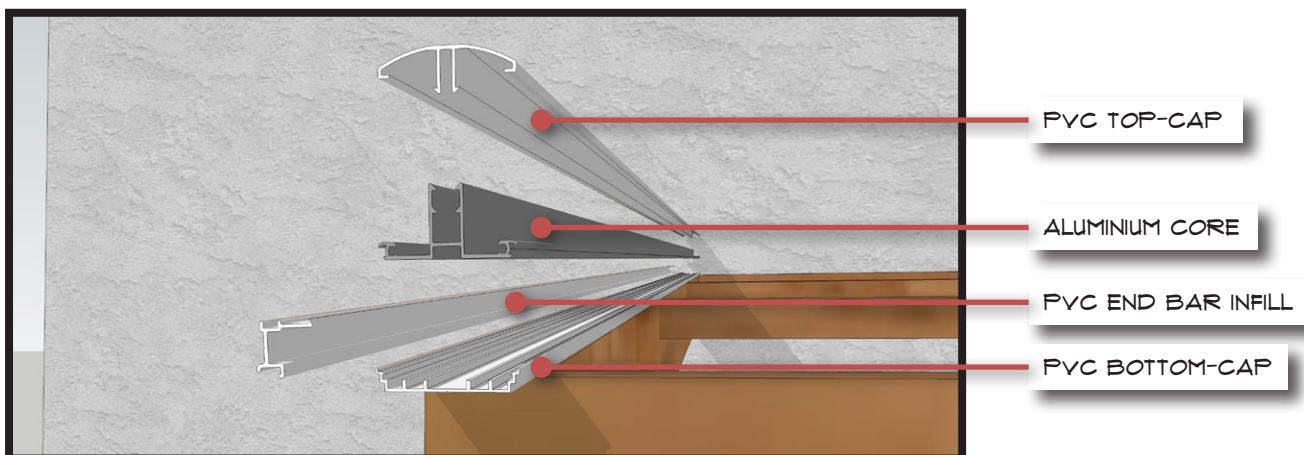
# AVON II CANOPY

## ALUMINIUM CORED GLAZING BARS

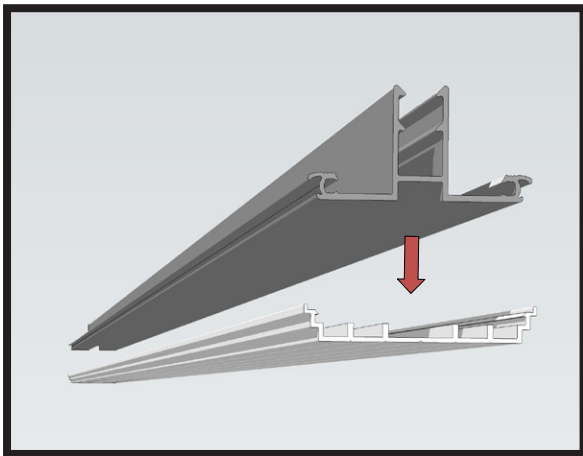
### ASSEMBLY GUIDE



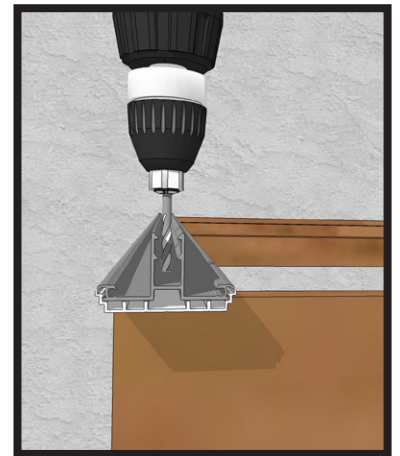
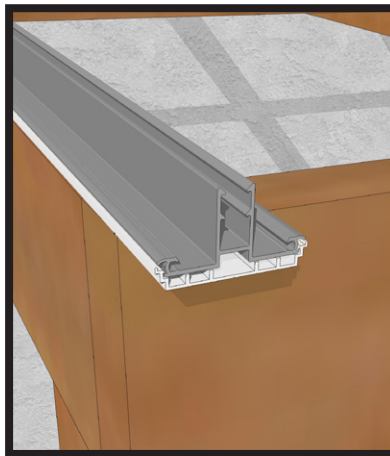
**1** CONSTRUCT SUITABLE FRAMEWORK. THE RAFTERS UPON WHICH THE BARS WILL SIT SHOULD BE POSITIONED AT 'WIDTH OF SHEET + 20MM' CENTRES. SO IF YOU'RE USING 1045MM WIDE SHEETING, POSITION THE RAFTERS AT 1065MM CENTRES.



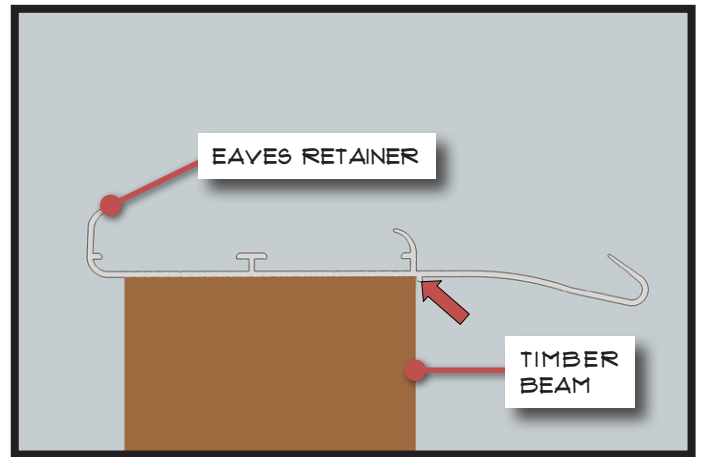
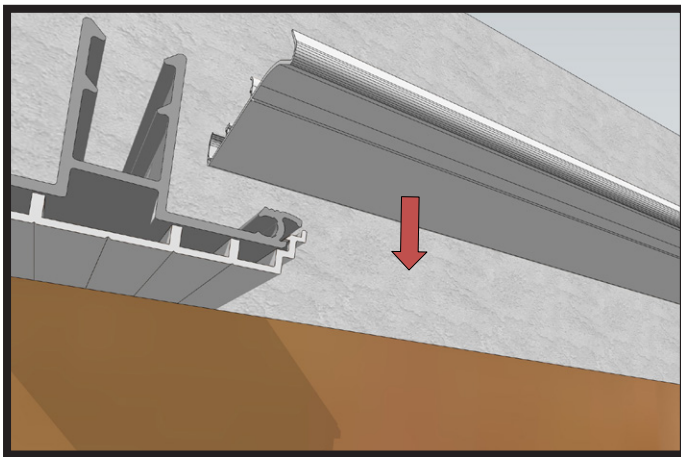
**2** DIAGRAM SHOWING HOW THE COMPONENTS FIT TOGETHER TO FORM A TYPICAL AVON BAR. THESE PARTS SHOULD BE CUT TO THE SAME LENGTH AS THE RAFTERS WITH AN ADDITIONAL OVERHANG OF 60MM



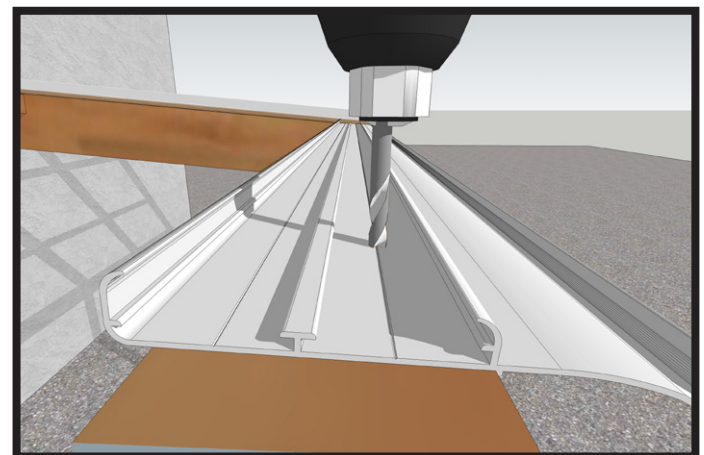
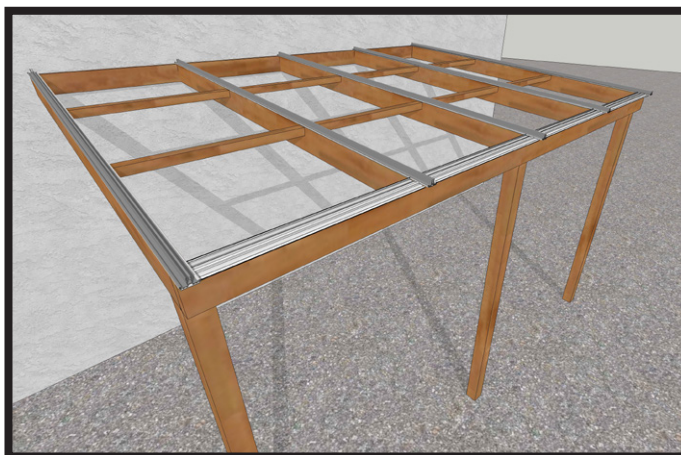
**3** CLIP THE ALUMINIUM BAR INTO THE PLASTIC BASE



**4** FIX THE CONNECTED ALUMINIUM BAR AND BASE TO THE CENTRE OF EACH RAFTER. DRILL AND FIX ALONG THE RAFTER AT APPROXIMATELY 600 CENTRES.

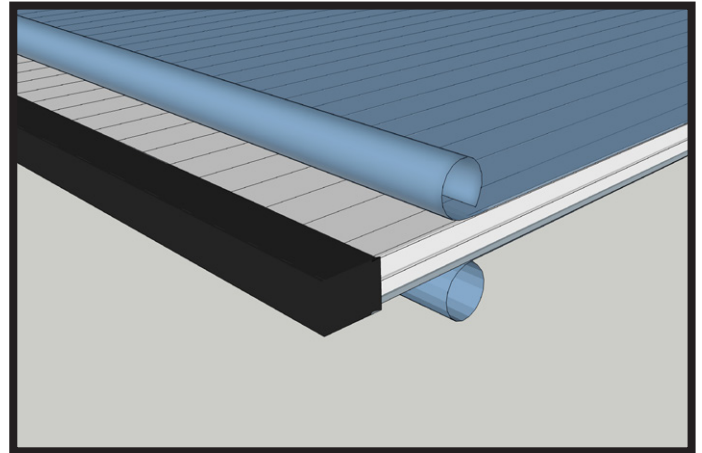
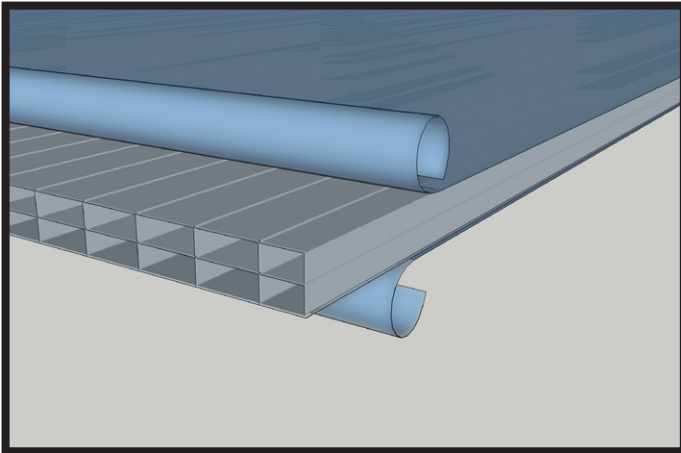


**5** POSITION THE EAVES RETAINERS BETWEEN EACH BAR. ALIGN THE SMALL NIB ON THE BOTTOM OF THE EAVES RETAINER WITH THE EDGE OF THE TIMBER BEAM.

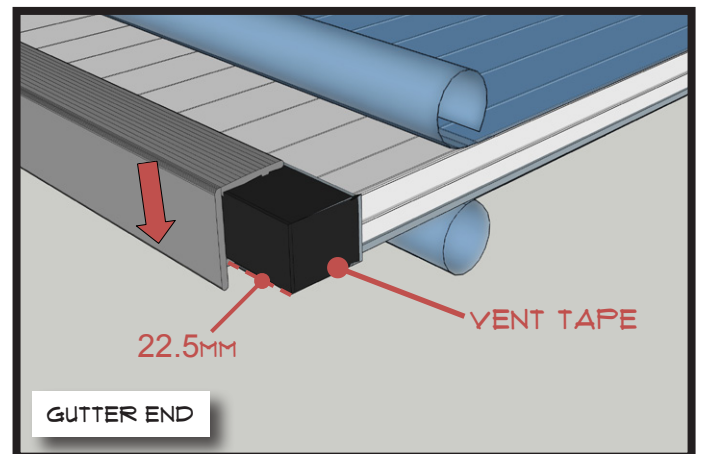
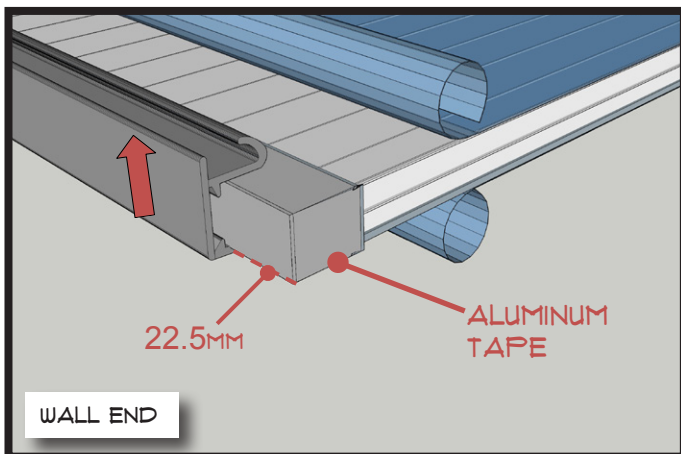


**6** DRILL AND FIX DOWN ALONG THE FRONT BEAM.

# PREPARING THE POLYCARBONATE SHEET



**7** THE PROTECTIVE FILM ON THE SHEETS SHOULD BE PEELED BACK APPROXIMATELY 50MM ON ALL EDGES AND ON BOTH SIDES. ENSURING THE SHEET IS FREE FROM DUST MOISTURE AND ANY OTHER DEBRIS THE SHEET TAPES SHOULD BE APPLIED TO THE TWO SHEET ENDS. VENT TAPE FOR THE GUTTER END AND ALI TAPE FOR THE WALL END.



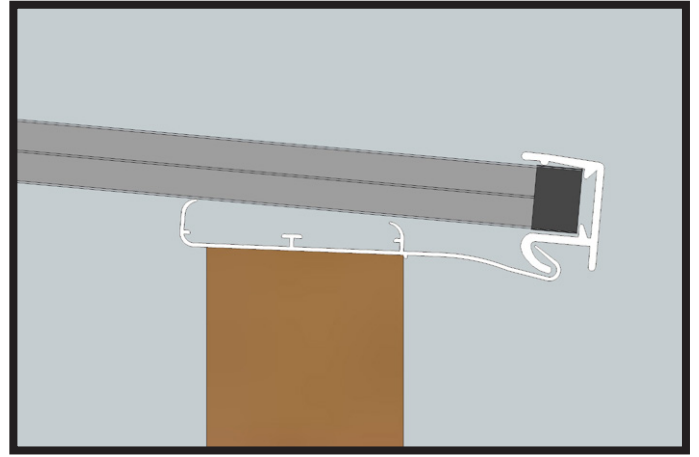
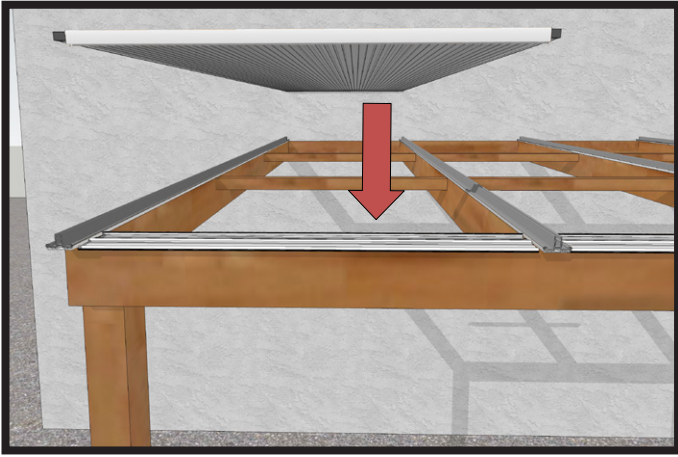
**8** THE SHEET ENCLOSURES SHOULD BE CUT TO  $\square$ SHEET WIDTH - 45MM $\square$  LENGTHS AND POSITIONED OVER THE TAPES CENTRALLY.

WITH THE SHEETS BEING APPROX. 1045MM WIDE THIS LEAVE APPROX 22.5MM ON EACH SIDE UNCOVERED.

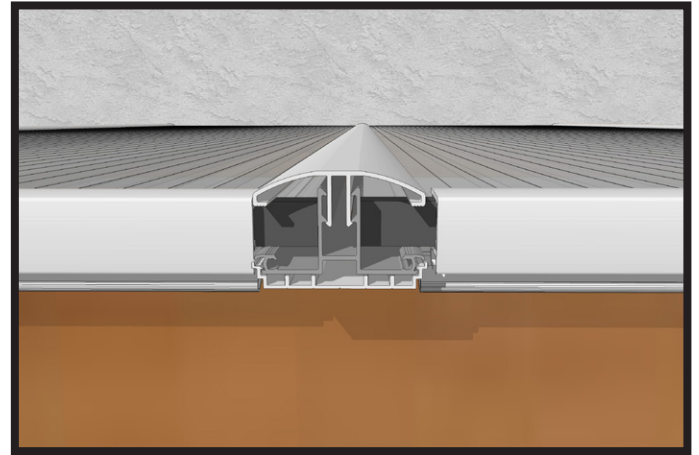
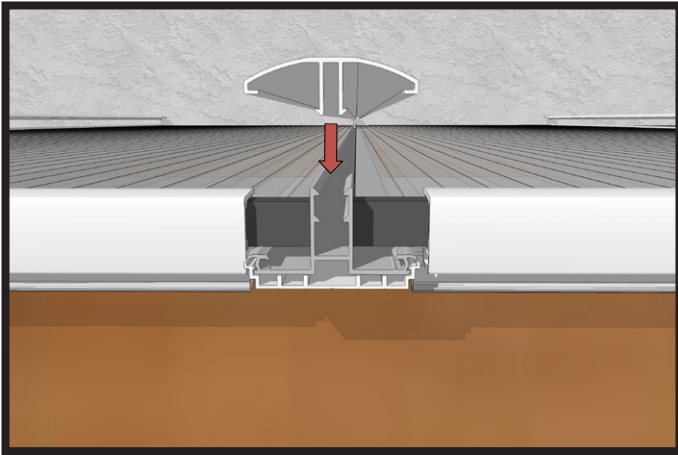
IT IS IMPORTANT THAT ON THE END OF THE SHEET INTENDED FOR THE GUTTER THAT THE DRIP SECTION FACES DOWN AS TO NOT IMPEDE THE FLOW OF WATER OFF THE SHEET. AT THE END INTENDED FOR THE WALL PLATE IT IS IMPORTANT TO HAVE THE DRIP FACING UP TO HELP ACT AS A WATER BUFFER IF THERE ARE HARD DRIVING WINDS.

POLYCARBONATE MULTIWALL SHEETS ARE UV TREATED, OFTEN THIS IS ONLY ON ONE SIDE. IT IS IMPORTANT THAT THIS SIDE IS THE TOP SURFACE. THE SHEET WILL TELL YOU WHICH THIS IS BUT GENERAL PRACTICE IS THAT THE COVER FILM WITH THE TEXT ON IS THE UV PROTECTED SIDE.

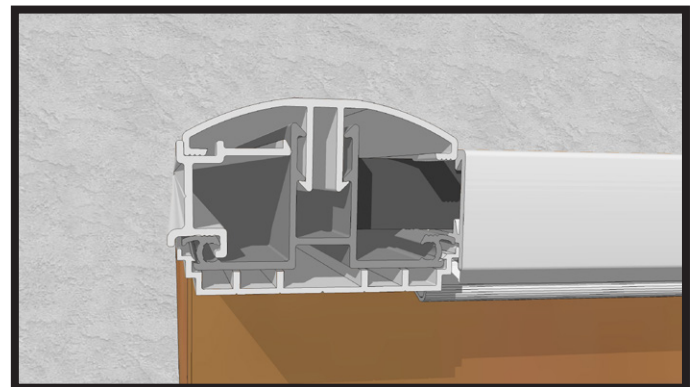
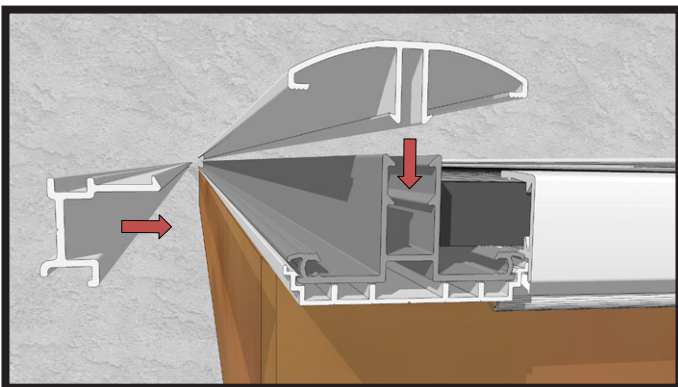
DO NOT REMOVE THE COVER FILMS AS THEY WILL HELP PROTECT THE SHEETS AND LET YOU KNOW WHICH SIDE IS UV TREATED.



**9** POSITION THE SHEETS INTO PLACE. THE BOTTOM LIP OF THE SHEET ENCLOSURE SHOULD TUCK IN TO THE EAVES RETAINER WHICH WILL HELP HOLD THE SHEET IN PLACE.



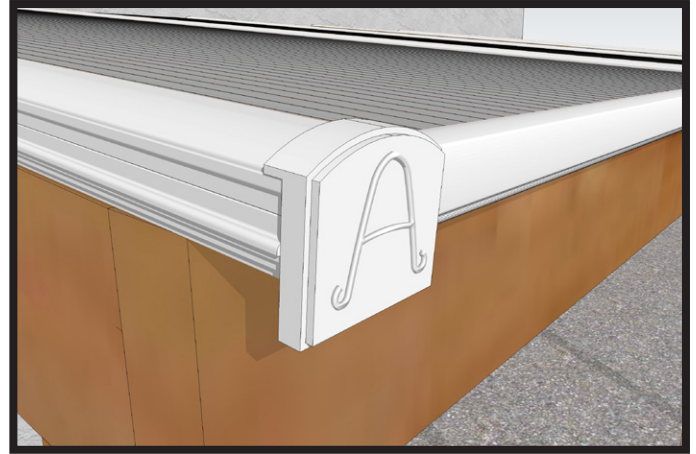
**10** ONCE THE SHEETS ARE IN, CLICK THE TOP-CAP FIRMLY INTO PLACE.



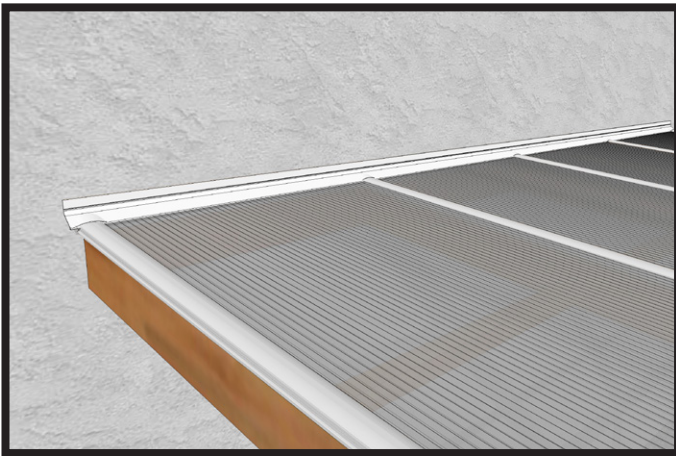
**11** FOR THE TWO BARS AT EACH END, PLACE THE BAR INFILL INTO PLACE BEFORE ADDING THE TOP CAP. THE TOP-CAP SHOULD HOLD THE INFILL FIRMLY IN PLACE.



**12** FINALLY FIX THE BAR ENDCAP INTO PLACE WITH 2 SCREWS.



**13** CLICK THE FACE COVERING INTO PLACE



**14** FIX PVC FLASHING TO WALL AND CUT APPROPRIATELY TO SIT ACROSS CANOPY.

