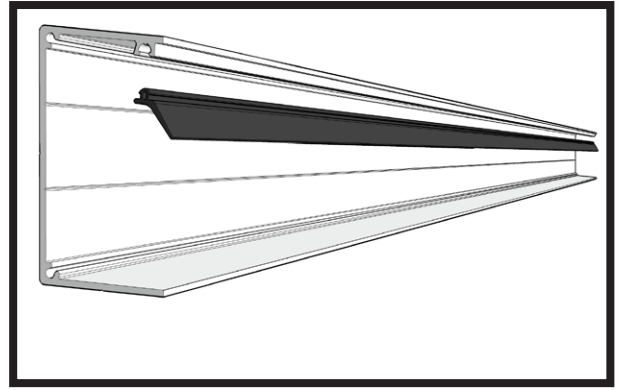




INSTRUCTION GUIDE

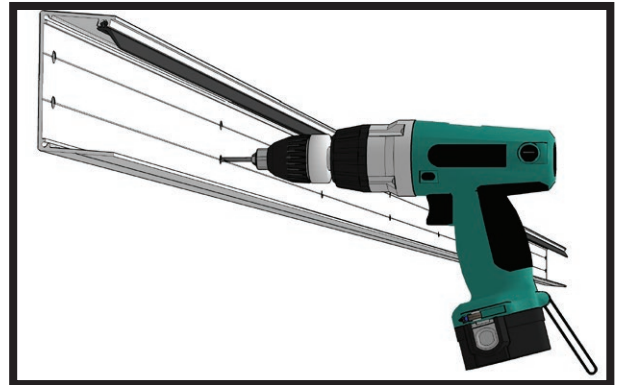
# SANCTUARY CANOPY

## 1. Add gasket to wall plate

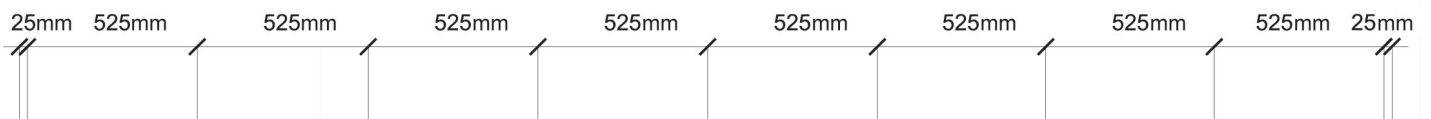


## 2. Drill holes in wall plate along the two rib lines

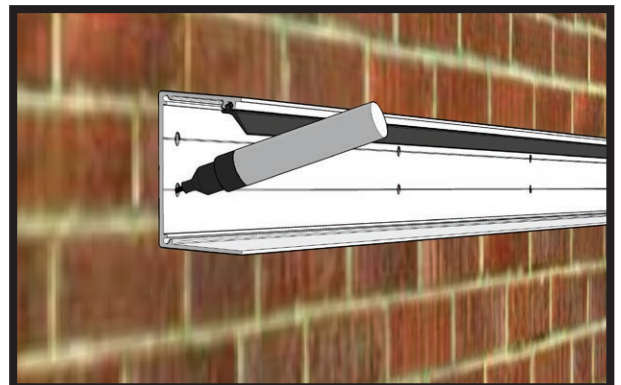
- The first pair of holes should be 25mm from the edge and then spaced every 525mm along the length. The last pair should be 25mm from the far edge. The hole centres can be adjusted to cater for obstructions on the retaining wall.
- A 8mm diameter metal drill bit should be used for this.



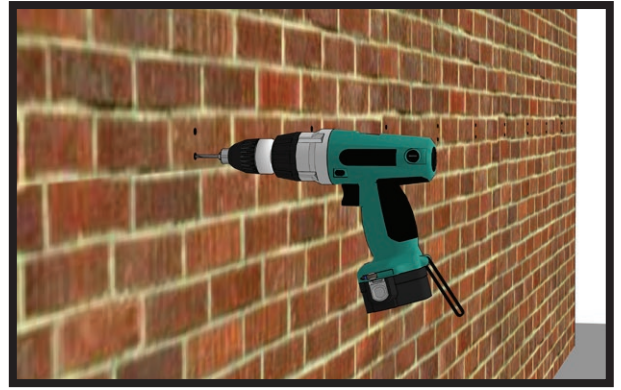
### EXAMPLE DIMENSIONS FOR THE 4250mm 4 PANEL OPTION



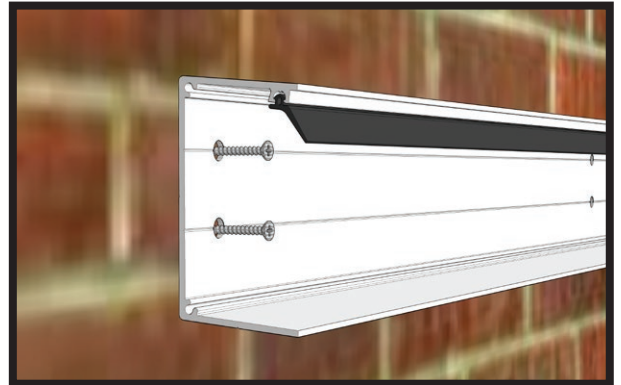
## 3. Offer the wall plate up to the host wall, mark the holes remove wall plate



4. Drill a 8mm diameter hole for the fixings of the wall plate using masonry drill bit to a suitable depth (110mm).

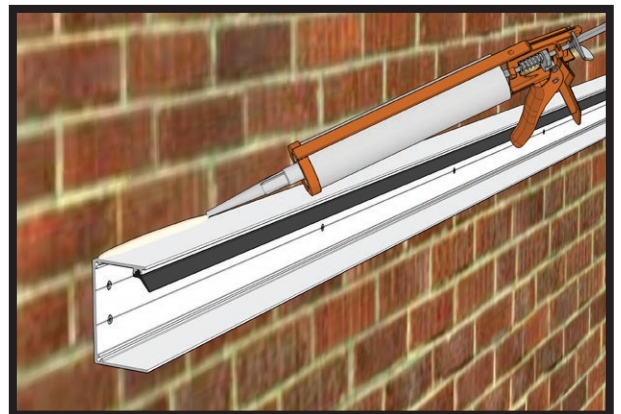


5. Offer wall plate to the wall, fasten the wall plate using the through fixing frame anchors.



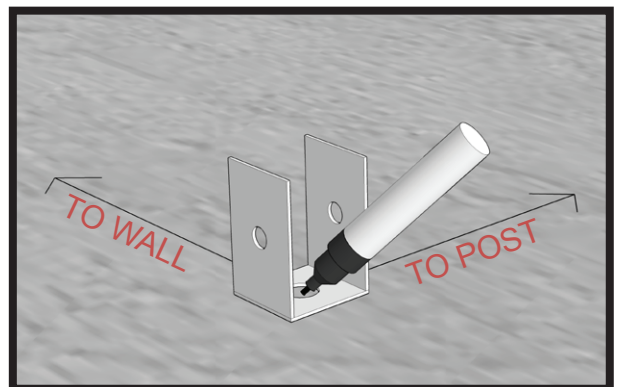
6. Run a bead of silicone along the top of wall plate against the wall to seal.

- If the wall is uneven then a secondary flashing such as chased in lead or flash-band may be required.

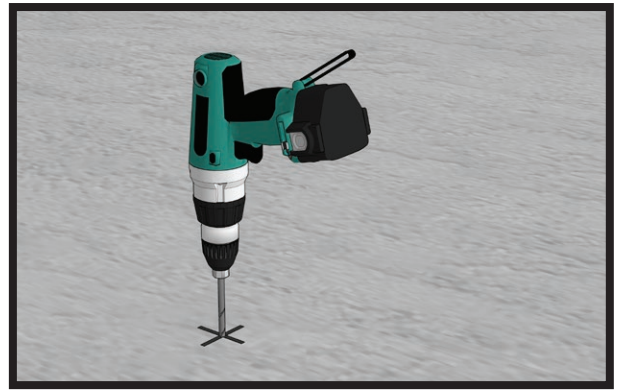


7. Position the location of the Post Connector Bracket to your sound concrete floor (if the floor is not suitable then it must be recast to be suitable) and mark the centre holes.

- Posts should never be more than 2.75m apart, or 0.25m from the ends of the gutter / beam.
- Ensure that the holes run parallel to the host wall, this ensures the gutter beam will be parallel

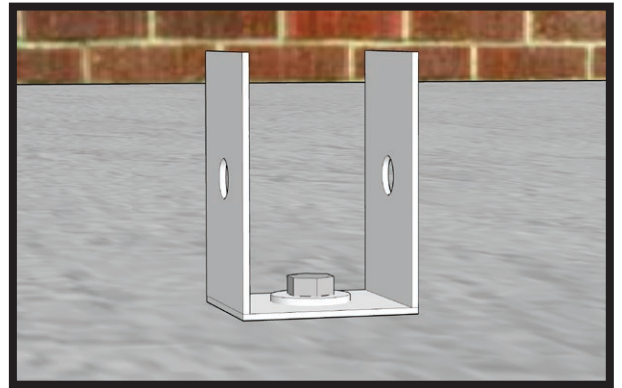


8. Drill the holes marked using a 12mm diameter masonry drill, to at least a depth of 90mm, ensuring any debris is removed.

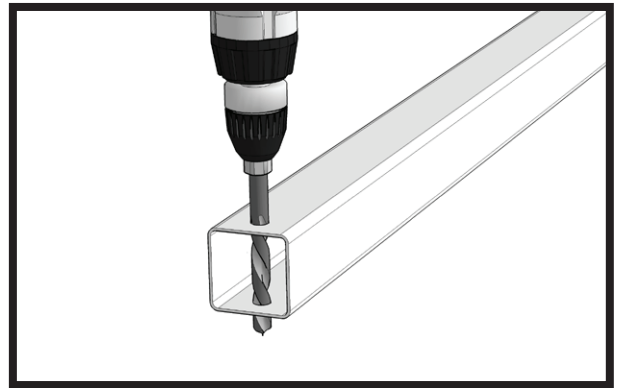


9. Reposition the Post connector bracket and fasten to the floor using the shield anchor.

- Ensure the vertical flanges are at right angles to the wall so that when the bolt connecting it to the post is inserted these are inserted parallel.
- Ensure the connectors are in straight line ready for the posts. The Base hole on the connector is oversized to allow for some minor adjustments to ensure these are in line. used for this.

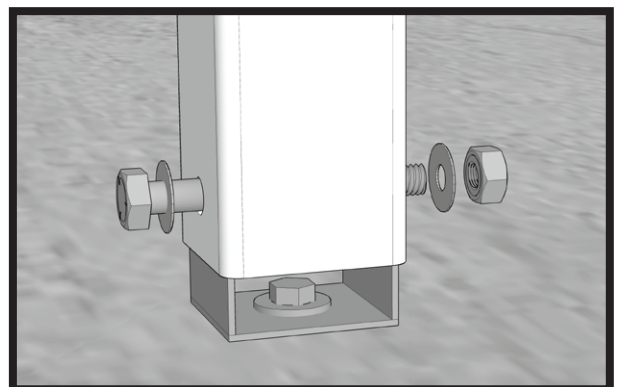


10. Drill a 12mm diameter hole in each of the 60mm x 60mm posts 20mm from the end and central on the face. Ensure there are two holes on two opposite faces ready to the connecting bolt to pass through.

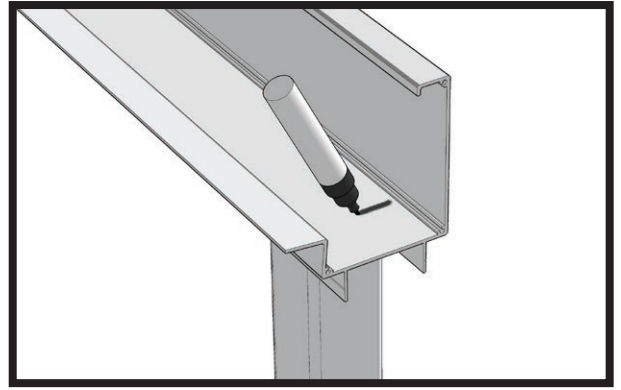


11. Locate each post over the connector bracket and secure through with the M12 x70mm stainless bolt.

- The posts should now have a 20mm gap at the bottom, this is so that the post/posts being use as the downpipe can expel the water.

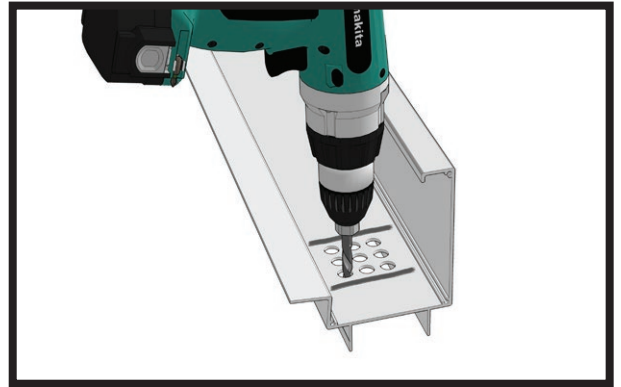


12. Decide on which post / posts are going to be use as downpipe and mark the location on the inside of the gutter with two straig lines representing the edges of the post /s

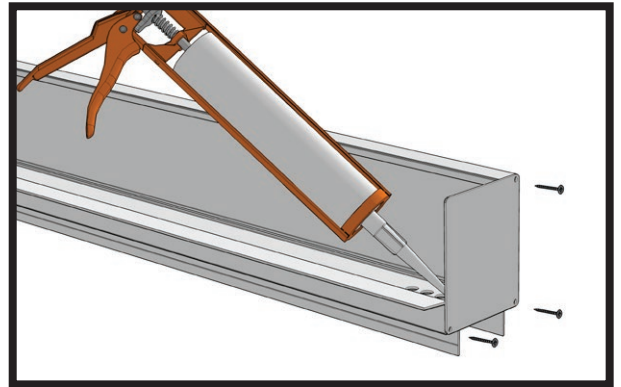


13. Within these lines drill a number of holes so that the water can escape down the inside of the post.

- Use the same 12mm diameter as used for the post then you should get 9 holes, if using a smaller diameter drill more holes would need to be drilled.
- Drilling the holes instead of using a hole cutter will help ensure no large debris enters the post to cause a blockage.



14. Screw the Gutter Beam Endplates onto the section, sealing on the inside using silicone sealant.

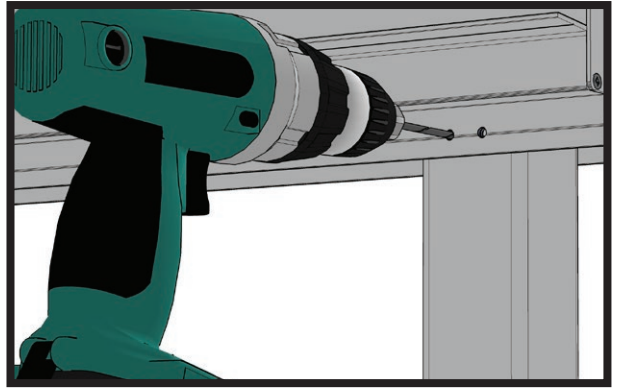


15. Place gutter ontop of posts. Ensuring that it is directly opposite and inline with the wall plate.

- The posts will sit inside the two flanges on the bottom of the gutter beam section.

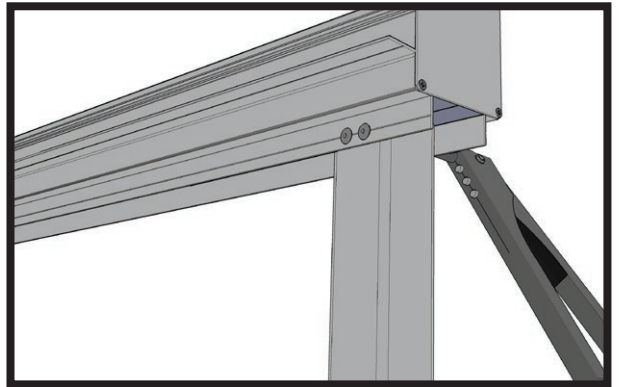


16. Drill 4 holes (two on each side flange) with a 5mm drillbit, evenly spaced, (20mm from each edge of the Post).



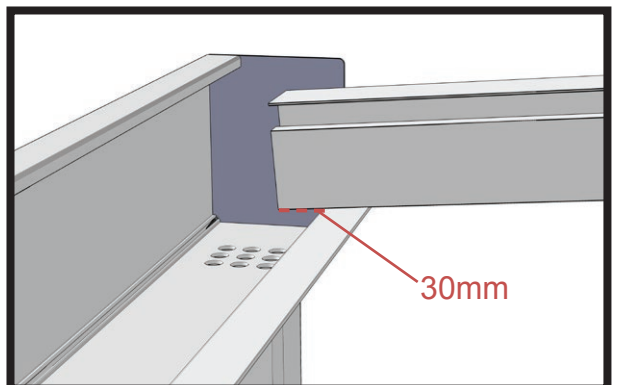
17. Secure posts to the gutter beam using the 4.8mm blind rivets. And silicone seal post if being used as downpie.

- If space is tight due to obstructions, then the posts will have to be removed from the post connectors. The posts then fastened to the gutter beam and then the whole assembly of posts and gutter beam secured back onto the post connectors.

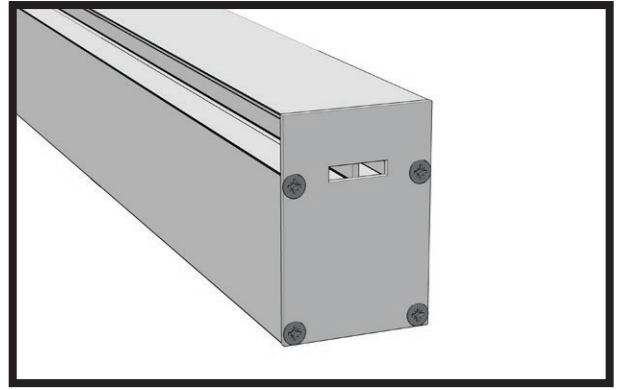


18. The bars will span from the wallplate, across to the front beam gutter. If the system is set to the maximum projection then these will not need to be cut. If the bars do need to be cut, this should be done now before installing.

- The base of the bar when in place should overhang into the gutter section 30mm when installed.

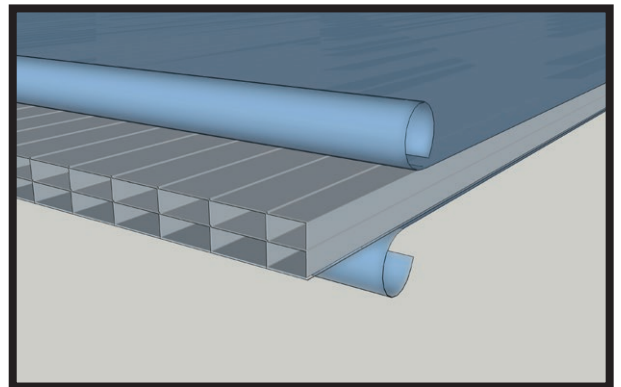


19. Once the bars are all the correct length, the bar endcaps should be installed on the end of each bar. This will then define the end of the bar that will be hanging into the gutter.

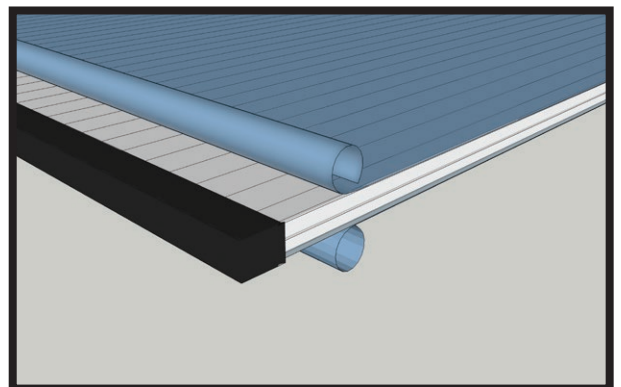


- 
20. If the Bars are cut to length, then the sheets should be cut in length also to the same size using a fine tooth saw.

- 
21. The protective film on the sheets should be peeled back apporximatly 50mm on all edges and on both sides.

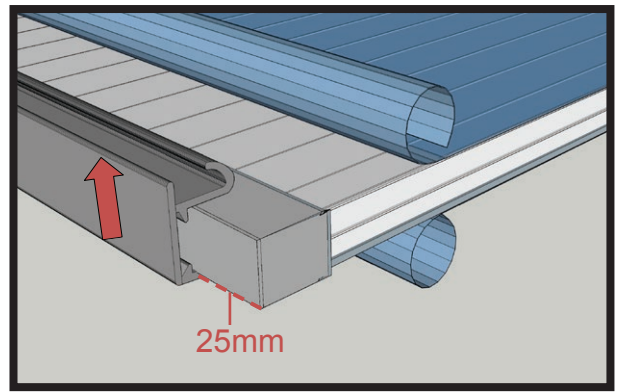


- 
22. Ensuring the sheet is free from dust moisture and any other debri the sheet tapes should be applied to the two sheet ends.

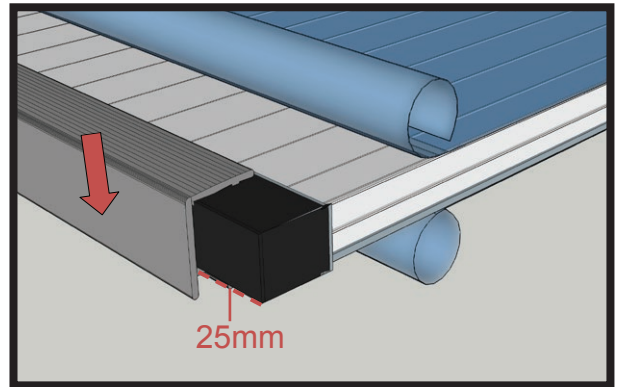


23. The sheet enclosures should be cut to 1M lengths and positioned over the tapes centrally.

- With the sheets being approx. 1050mm wide this leave approx 25mm on each side uncovered.
- It is important that on the end of the sheet intended for the gutter that the drip section faces down as to not impede the flow of water off the sheet. At the end intended for the wall plate it is important to have the drip facing up to help act as a water buffer if there are hard driving winds.
- Polycarbonate multiwall sheets are UV treated, often this is only on one side. It is important that this side is the top surface. The sheet will tell you which this is but general practice is that the cover film with the text on is the UV protected side.
- It is a good idea not to remove the cover films totally at this stage, because they will help protect the sheets from rub marks, and it is easy to forget which side should face up, and once the cover film is removed it is nearly impossible to tell.



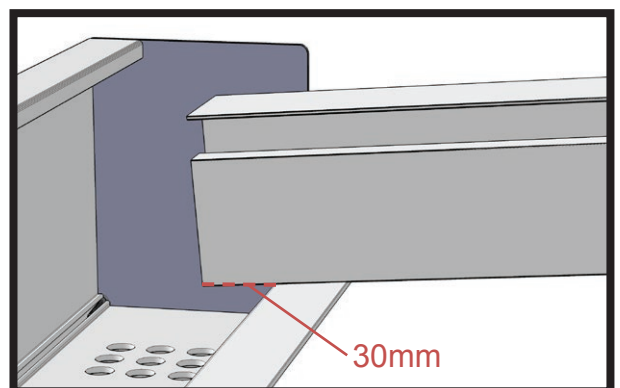
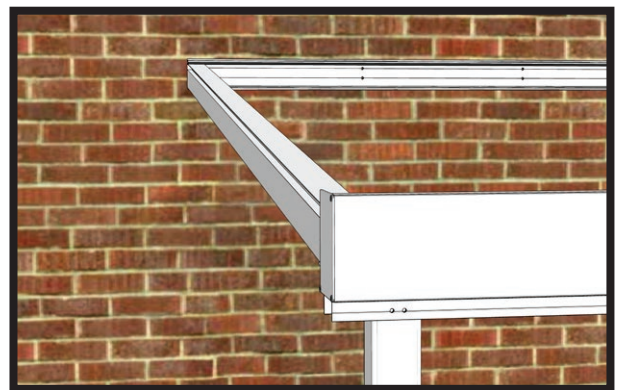
WALL PLATE END



GUTTER END

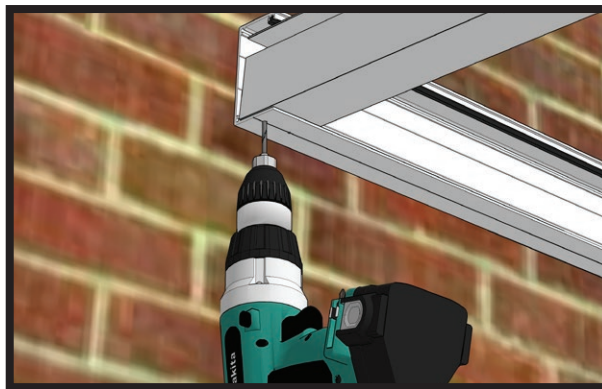
24. The first bar should be positioned flush against the gutter beam endcap, and flush with the end of the wallplate also. The bar should overhang the gutter 30mm with the endcap at the gutter end.

- A handy way of ensuring the bar is in the correct position and help prevent it from moving when installing is to put a 60mm wide block of wood or offcut of post into the gutter. This will space the bar so that it overhangs correctly. But any such packing must be removed after the bar is secured.





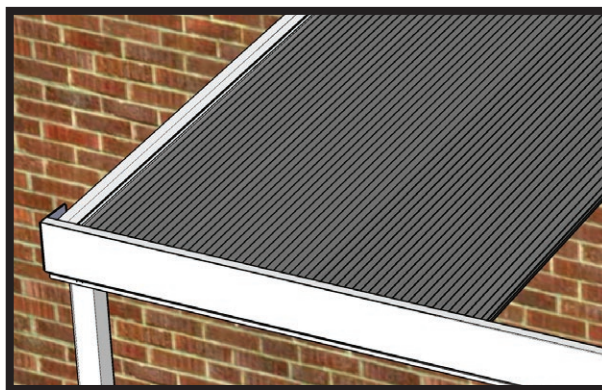
25. From underneath two 5mm diameter holes should be drilled through the underside of the wallplate and the glazing bar (along the fixing groove line). These should be 10mm from the two outer edges of the glazing bar to allow a strong fixing.



26. Fasten the wallplate and bars together using two 4.8mm x 12mm blind rivets through the fixing holes just created.

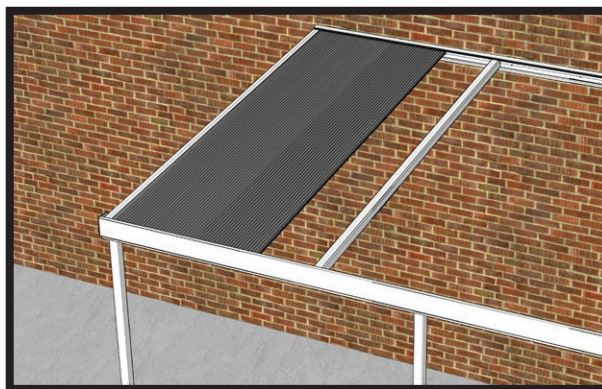
27. Repeat steps 25 & 26 but on the front beam not the wallplate.

28. Insert the polycarbonate sheet into the bar side, ensuring the sheet is the correctly prepared (step 23) and the correct way up. Ensure the sheet is fully retained in the bar and that the 1M sheet closures are up tight to the bar. This is important as the sheet closures will help ensure the bars are spaced correctly.



29. Insert a new bar onto the frame and engage the polycarbonate sheet so that the two long sides of the sheet are supported. These bars should now be spaced 1M apart (1050mm bar centres).

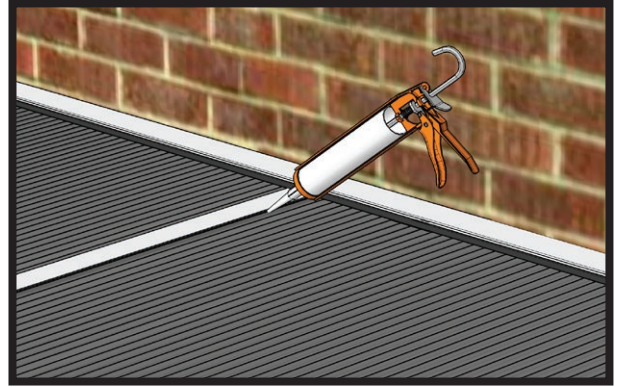
- Remember the endcap of the bar should be at the bottom (gutter) end of the roof with the bar overhanging into the gutter 30mm.



30. Repeat steps 25 to 27 on the new bar just added.

---

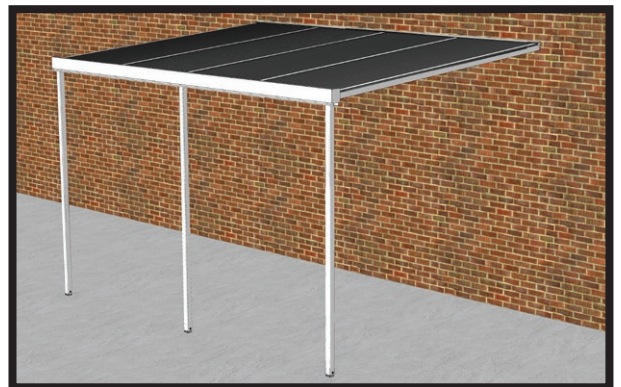
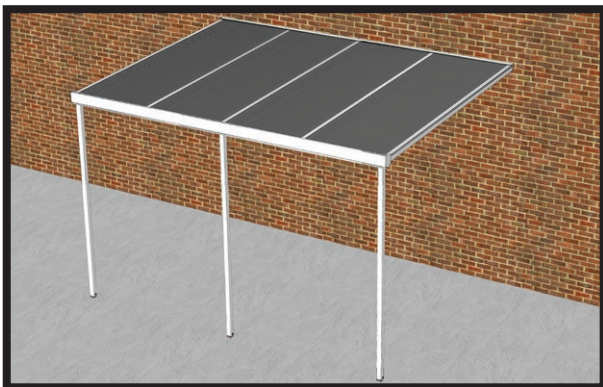
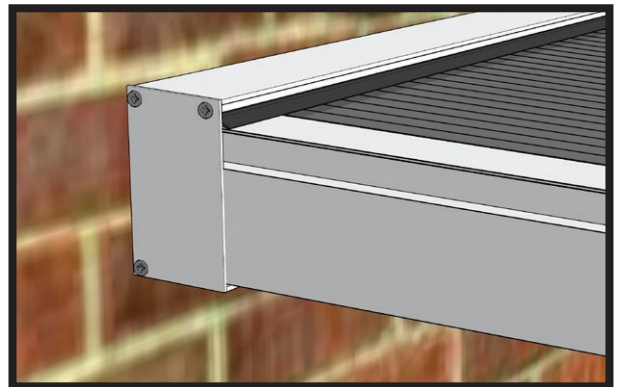
31. Run a small bead of appropriate silicone sealant along the joint of the sheet and the bar.



32. Repeat steps 28 to 31 until all of the roof is glazed. The final bar should finish flush with the end of the wall plate and beam.

---

33. Screw the wallplate endplates into position, and seal with a small bead of silicone.



---

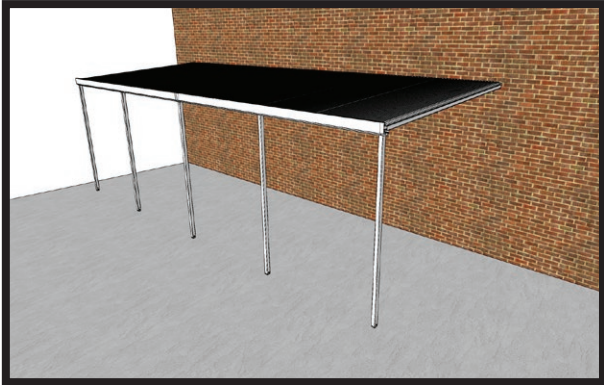
## SHORTENED LENGTH CANOPIES

34. If the canopy is not going to be a standard length and needs shortening, then please remember that the dimensions listed here all need to be adjusted in proportion to the reduced canopy size. The sheets can be cut with a fine tooth saw and the aluminium with a hacksaw.

CUSTOM CONFIGURATIONS

# SANCTUARY CANOPY

# CONSTRUCTING A LENGTH OF CONNECTED CANOPIES



## A1 Cut wallplates and gutters to size to make sure that the custom configurations house the sheeting panels correctly.

- The wallplates and gutters located at each end need 25mm cut off from one end.
- Wallplates and gutters located in the middle of a run require a total of 50mm cut off from a single end.
- Retain the cut-offs as these will be used for bracing the wallplates and gutters together.

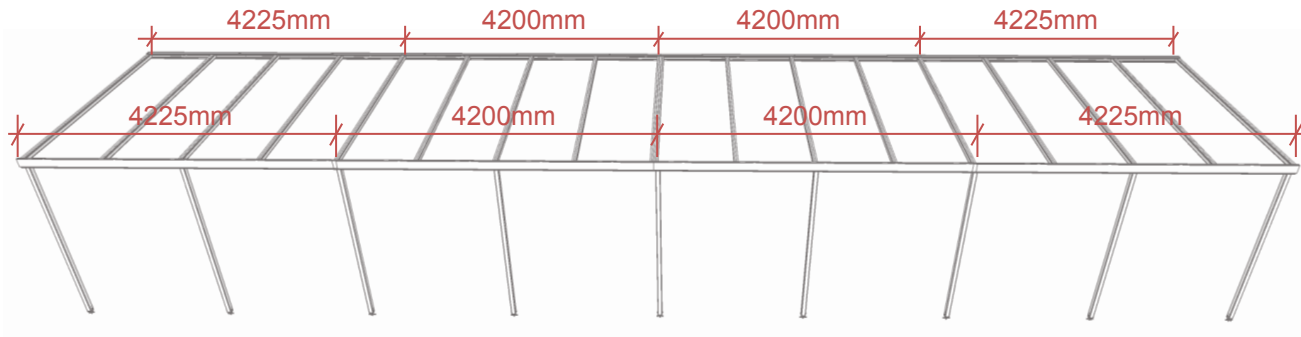
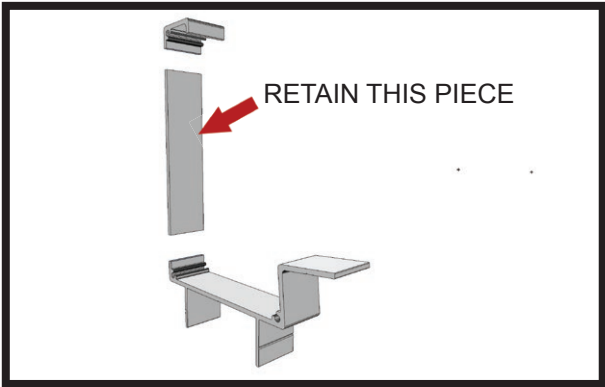
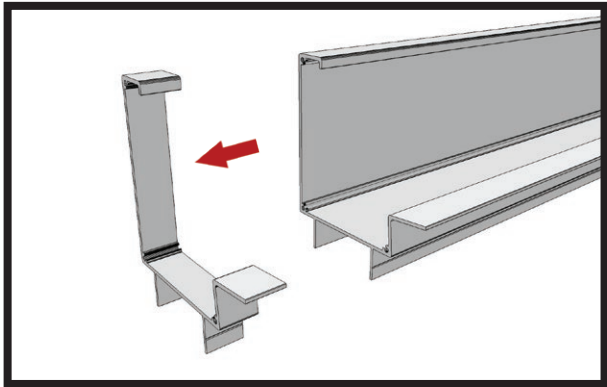
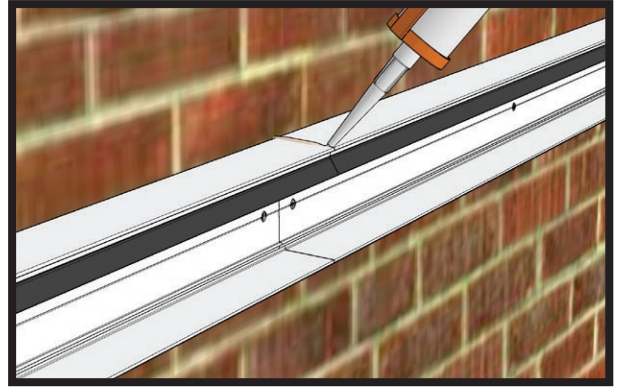
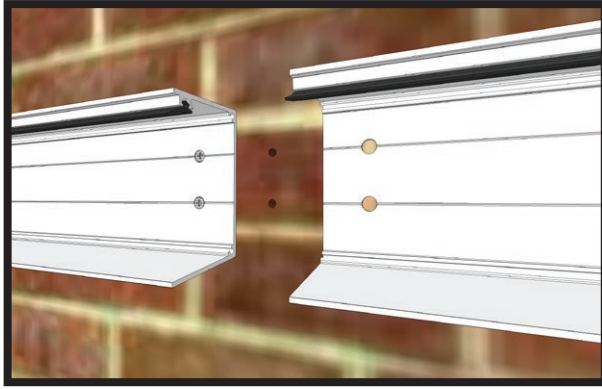


DIAGRAM ABOVE BASED ON 4250mm WALLPLATES AND GUTTER

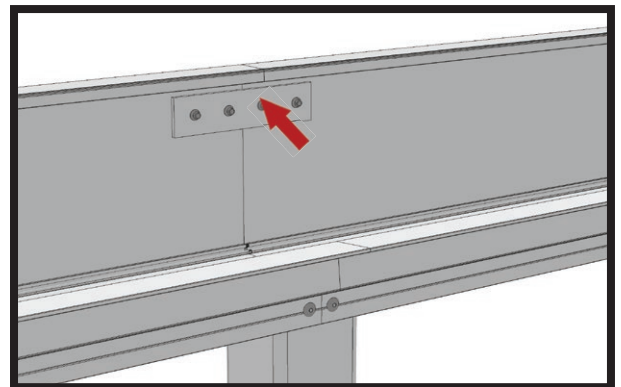
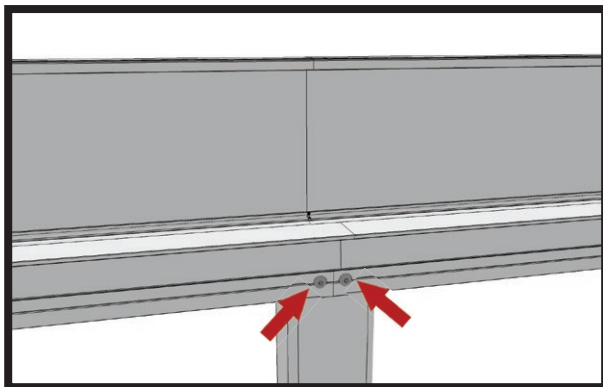


A2 Move the wall plates into position and seal with a bead of silicone



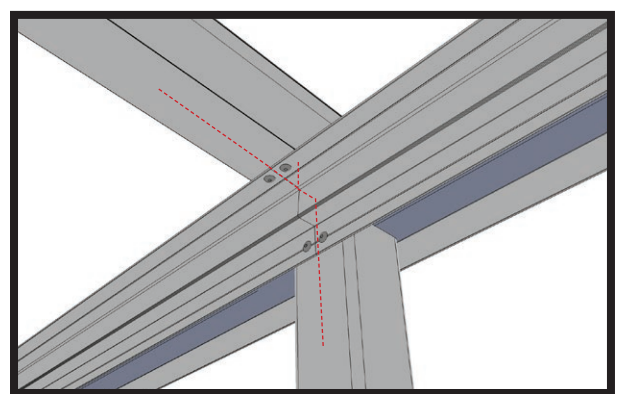
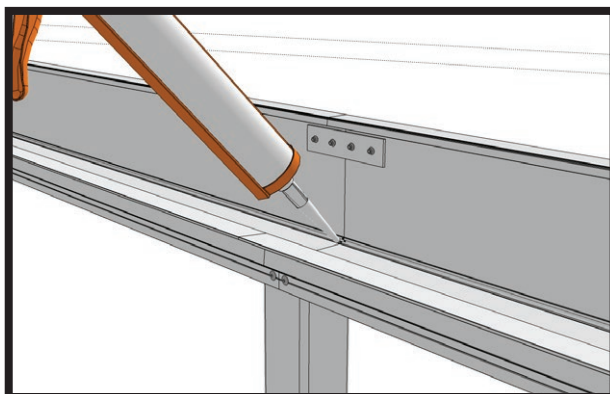
---

A3 Place the gutter beams together and position centrally over the post. Drill and fix with rivets. Use retained off-cut to brace

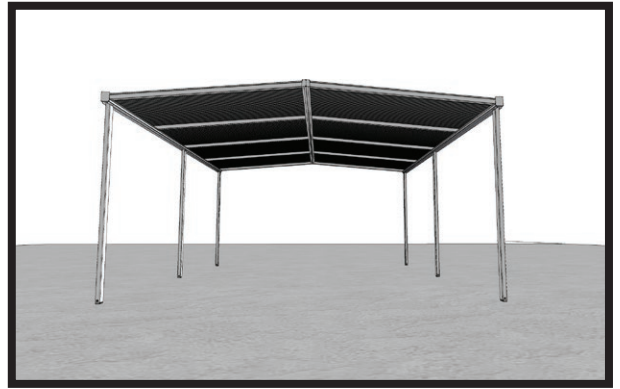


---

A4 Seal with a bead of silicone. In the final stages when adding the sheets and bars, make sure that the bars sit centrally over the posts and joints.

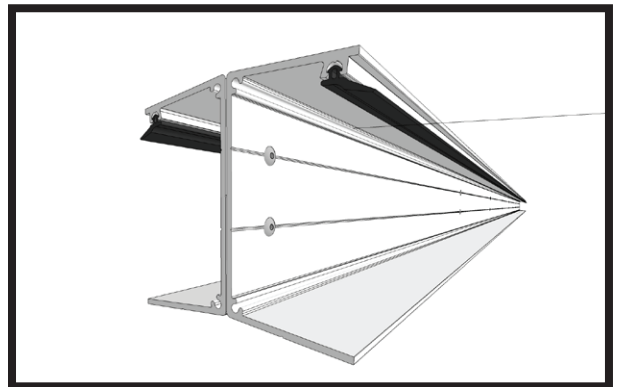
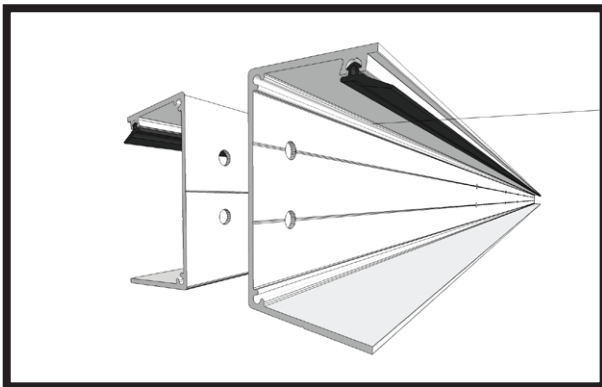


# CONSTRUCTING SELF SUPPORTING CANOPIES

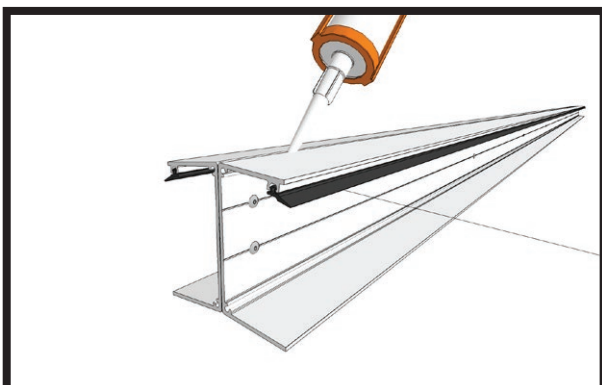


- Tie bars/wires should be installed (not supplied as standard)

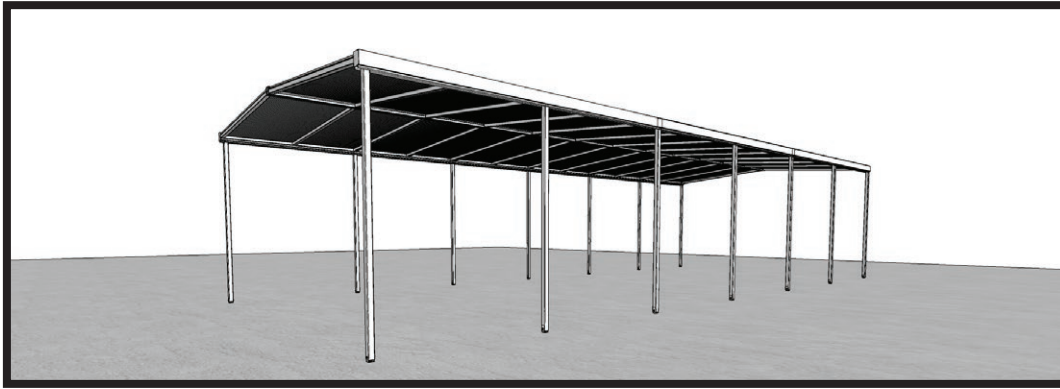
**B1** Attach wall plates together back to back. Drill and rivet together.



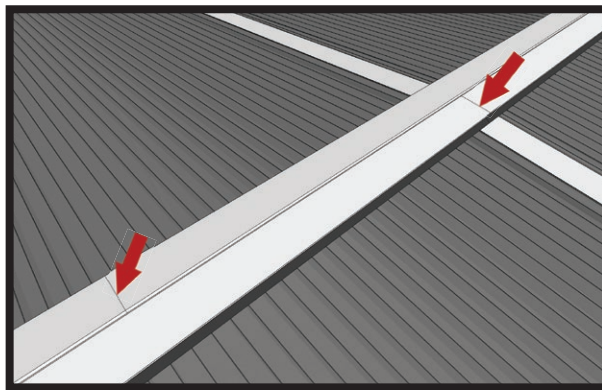
**B2** Run a bead of silicone down the center to finish.



# LINE OF SELF SUPPORTING CANOPIES



**C1** If wallplates are to span lengths other than 3.2m, 4.25m and 5.3m it is important that the back-to-back wallplates are staggered to maintain structural integrity as shown in the image below.

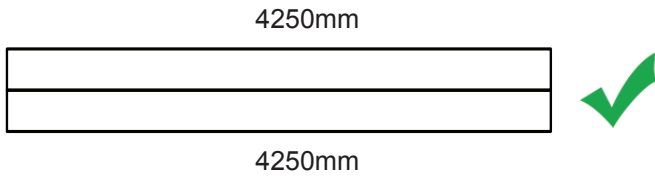


**C2** Follow instructions A1 and cut appropriate amounts off of the wall plates and gutter beams. See table below and diagram overleaf.

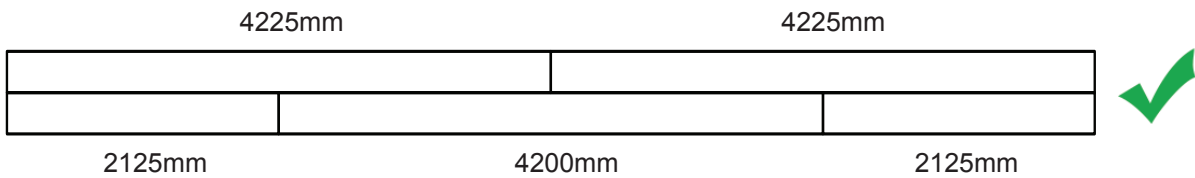
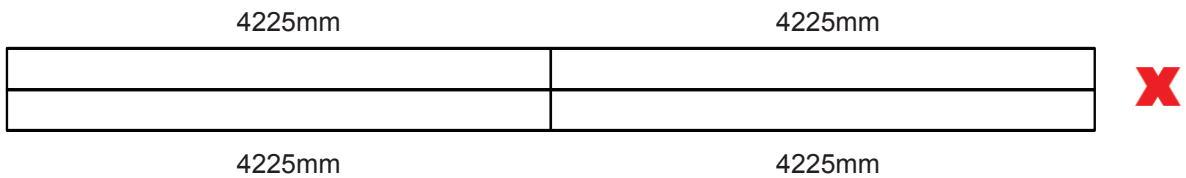
Total Span (mm)	Stock lengths required (mm)	Cut lengths required (mm)
3200	2 x 3200	no cutting required
4250	2 x 4250	no cutting required
5300	2 x 5300	no cutting required
6350	4 x 3200	2 x 3175 1 x 3150 2 x 1600
7400	2 x 3200, 2 x 4250	2 x 4225 2 x 3175
8450	4 x 4250	2 x 4225 1 x 4200 2 x 2125
9500	2 x 5300, 2 x 4250	2 x 5275 2 x 4225
10550	4 x 5300	2 x 5275 1 x 5250 2 x 2650

# EXAMPLES

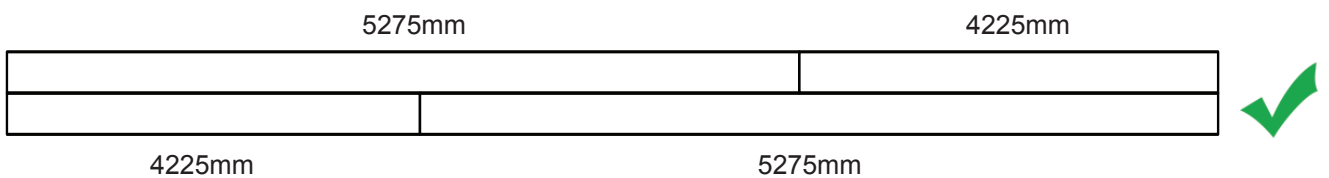
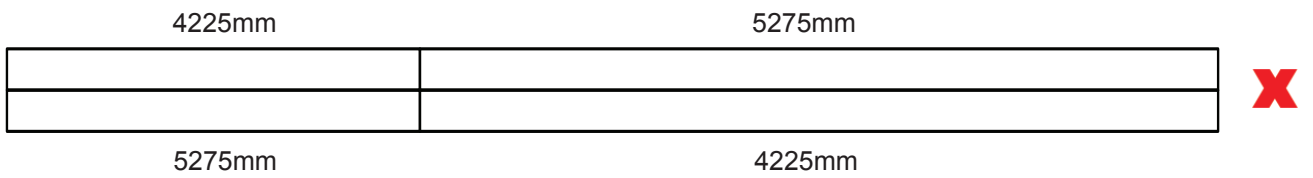
## 4250mm



## 8450mm

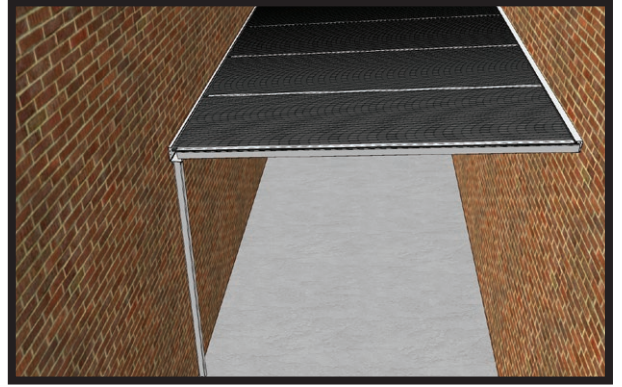
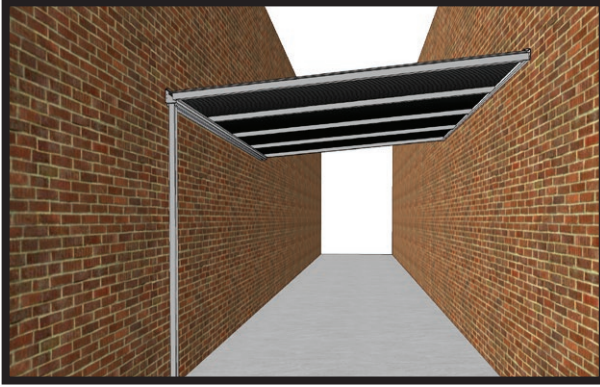


## 9500mm

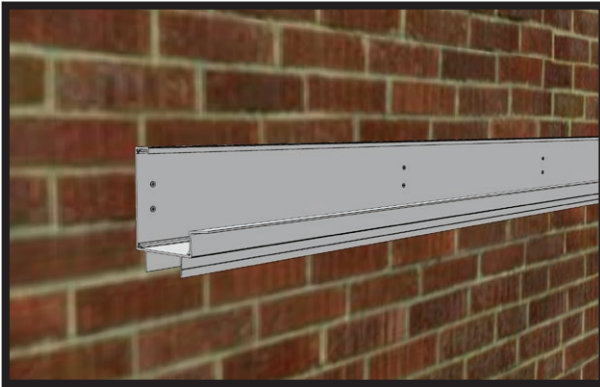




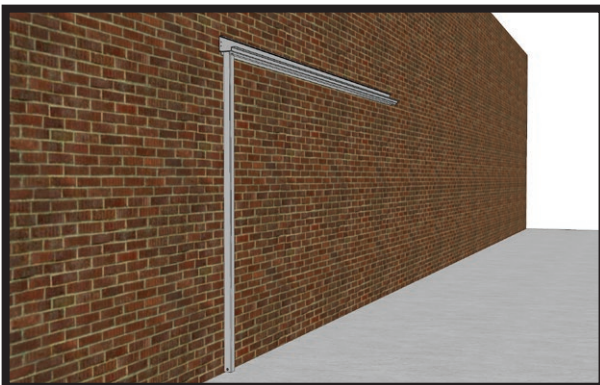
## CONSTRUCTING CANOPY BETWEEN 2 WALLS



- 
- D1** Follow item 2 of the main Sanctuary canopy instructions and apply to the gutter beam. Offer the gutter beam to the wall, fasten using through fixing frame anchors.



- 
- D2** Decide where the gutter pipe should be. Follow items 12 and 13 of the main Sanctuary canopy instructions and apply to the gutter beam.



# FURTHER OPTIONS FOR BUILDING BETWEEN 2 WALLS

